

Klemko Techniek B.V.
Tel.: +31 (0)880023300
E-mail: info@klemko.nl

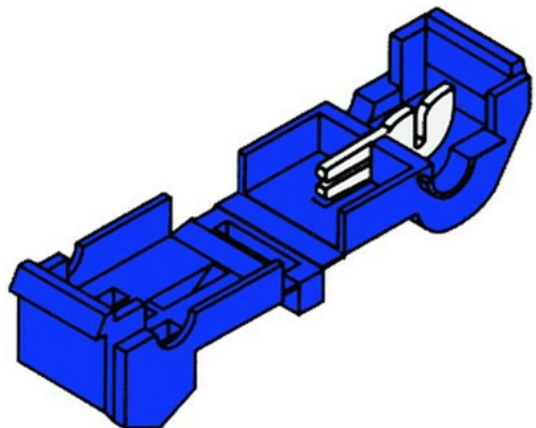
klemko®

101645 - AFKL2.5-6.3

Geïsoleerde Kabelschoenen Aftakkleem

/productimages/101645.jpg

Package type: BX á 100 pce



PRODUCT SPECIFICATIONS:

Model	Branch
Colour insulation	Blue
Material insulation	Polyamide (PA)
Grease filling against corrosion	No
Nominal cross section (mm ²)	1.04 - 2.63
Max. number of cores	1
Interrupt free shifting	No
Transparent	No
Voltage (V)	600
(A)	30