

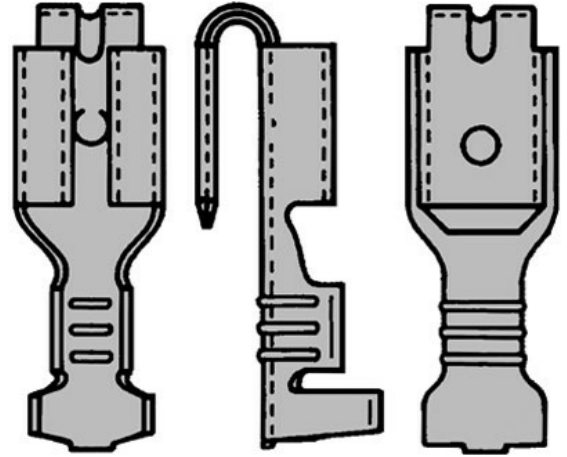
Klemko Techniek B.V.
Phone: +31 (0)880023300
E-mail: info@klemko.nl

klemko®

/productimages/210240.jpg

F Krimp Ongeisol. Klauwkabelschoen

Package type: BX á 100 pce



PRODUCT SPECIFICATIONS:

Model	Bushing
Nominal cross section (mm ²)	0.34 - 1.66
Min. AWG-size	22
Max. AWG-size	16
Plug dimensions	Flat 6.3x0.8 mm
Insulation	Not isolated
With tap spreader	Yes
Material	Brass
Surface protection	Tinned
No	
(mm)	19.2
(mm)	8
7.4	
No	
No	
No	
(°C)	120
Reel/roll packaging	No