

Klemko Techniek B.V.  
Phone: +31 (0)880023300  
E-mail: info@klemko.nl

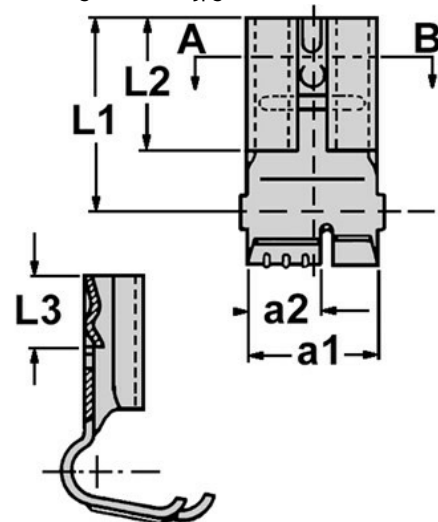
# klemko®

## 210400 - B2507 FLB-8 \*

F Krimp Ongeisol. Klauwkabelschoen

Package type: BX á 100 pce

/productimages/210400.jpg



**PRODUCT SPECIFICATIONS:**

Model	Bushing
Nominal cross section (mm <sup>2</sup> )	1 - 2.5
Min. AWG-size	18
Max. AWG-size	14
Plug dimensions	Flat 6.3x0.8 mm
Insulation	Not isolated
Material	Brass
Surface protection	Tinned
No	
(mm)	11
(mm)	7.4
4	
No	
No	
No	
(°C)	120
7.5	
4	
5	
Reel/roll packaging	No