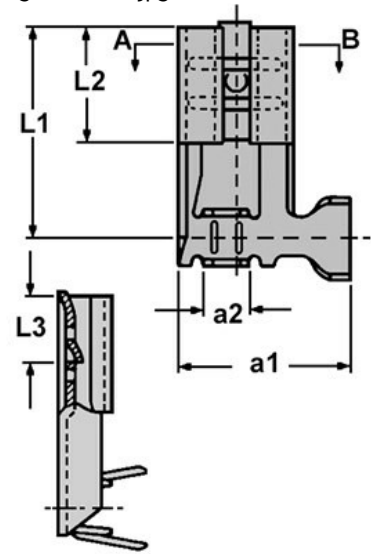


F Krimp Ongeisol. Klauwkabelschoen

Package type: BX á 100 pce

/productimages/210410.jpg





PRODUCT SPECIFICATIONS:

Model	Bushing
Nominal cross section (mm ²)	1 - 2.5
Min. AWG-size	18
Max. AWG-size	14
Plug dimensions	Flat 6.3x0.8 mm
Insulation	Not isolated
Material	Brass
Surface protection	Tinned
No	
(mm)	13.85
(mm)	7.4
4	
No	
No	
No	
(°C)	120
11	
3.5	
6	
Reel/roll packaging	No