

Klemko Techniek B.V.
Phone: +31 (0)880023300
E-mail: info@klemko.nl

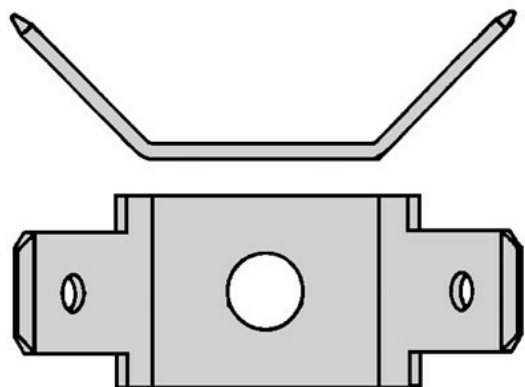
klemko®

215490 - B63045482-HM

Tab voor Vlakstekkerhulzen

Package type: BX á 100 pce

/productimages/215490.jpg



PRODUCT SPECIFICATIONS:

| | |
|---------------------|-----------------|
| Model | Plug |
| Plug dimensions | Flat 6.3x0.8 mm |
| Insulation | Not isolated |
| Material | Copper |
| Surface protection | Tinned |
| No | |
| (mm) | 12 |
| (mm) | 10 |
| (mm) | 4.3 |
| (mm) | 4.3 |
| (mm) | 8 |
| (°) | 45 |
| 10 | |
| Yes | |
| No | |
| (°C) | 120 |
| 12 | |
| Reel/roll packaging | No |