

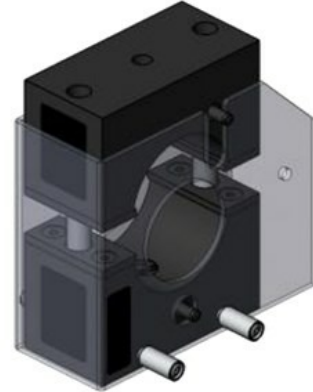
Klemko Techniek B.V.
Phone: +31 (0)880023300
E-mail: info@klemko.nl

klemko®

/productimages/901496.jpg

inzetmatrijs type GAP-UP66

Package type: CT á 1 pce





PRODUCT SPECIFICATIONS: