

Klemko Techniek B.V.
Phone: +31 (0)880023300
E-mail: info@klemko.nl

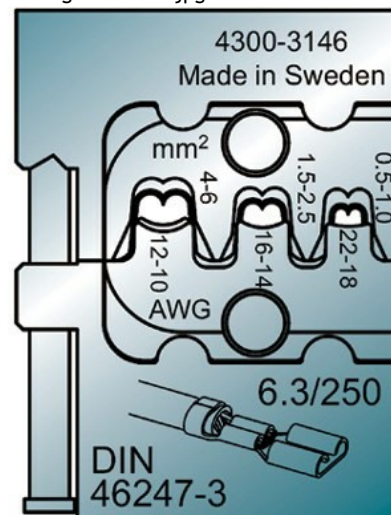
klemko®

930638 - PMS-F0560

Inzetmatrijs voor Krimptang

Package type: CT á 1 pce

/productimages/930638.jpg



PRODUCT SPECIFICATIONS:

Model

Matrix

Compression shape

Roll compression (shrinking)

Cross section (mm²)

0.5 - 6